



PZ-G41CB

Threaded mount Reflective M12 Connector Type, NPN

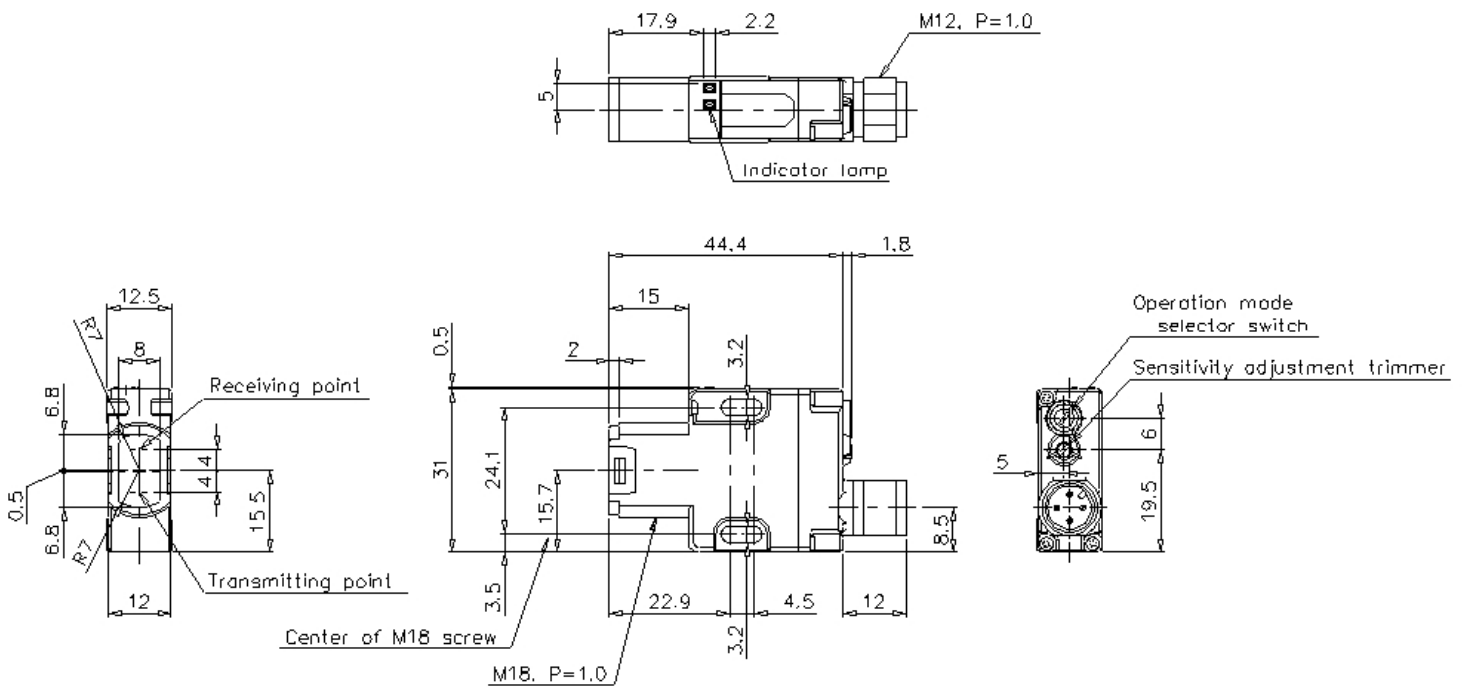


SPECIFICATIONS

Model	PZ-G41CB	
Type	Diffuse Reflective Long-range	
Shape	Threaded	
Cable length	M12 connector ^{*1}	
Output	Bipolar (NPN+PNP)	
Detecting distance	1 m 3.3' (When detecting 30 x 30 cm 11.81"x11.81" white paper)	
Spot diameter	—	
Light source	Red LED	
Sensitivity adjustment	1-turn trimmer (230°)	
Response time	500 μs	
Operation mode	LIGHT-ON/DARK-ON (switch-selectable)	
Indicators (LED)	Output: Orange LED, Stable operation: Green LED	
Control output	Open collector output, 30 V max., 100 mA max., Residual voltage: 1 V max.	
Protection circuit	Reversed polarity, overcurrent protection, surge absorber	
Interference suppression	Up to 2 units (with the automatic different frequency function)	
Tightening torque	Threaded models (front M18 part): 1.0 N·m max., (side slotted hole part): 0.5 N·m max.	
Rating	Power voltage	10 to 30 VDC including Ripple ±10% (P-P), Class 2
	Current consumption.	34 mA max.
Environmental resistance	Enclosure rating	IEC: IP67/NEMA: 4A, 6, 12/DIN: IP69K
	Operating ambient luminance	Incandescent lamp: 5,000 lux max., Sunlight: 20,000 lux max.
	Operating temperature range	-20 to +55°C -4 to 131°F, No freezing
	Operating ambient humidity	35 to 85% RH (No condensation)
	Vibration	10 to 55 Hz, 1.5 mm 0.06" double amplitude in the X, Y, and Z directions, 2 hours respectively
	Shock resistance	1,000 m/s ² 6 times in the X and Y directions
Material	Housing, M18 nut (threaded models only)	Glass-fiber reinforced PBT
	Lens cover	Polyarylate (PAR)
	Trimmer	Glass-fiber reinforced polyamide (PA)
	Case connection	Screw: Nickel-plated iron and zinc, packing: nitrile butadiene rubber (NBR)
	Cable (cable models only)	Polyvinyl chloride (PVC)
	Connector (connector type with cable only)	—
Accessories	Instruction manual, M18 nut x 1 piece (threaded models only)	
Weight	Threaded connector models: Approx. 15 g	
^{*1} Cable sold separately for connector models		

Dimensions

PZ-G41CB/G42CB



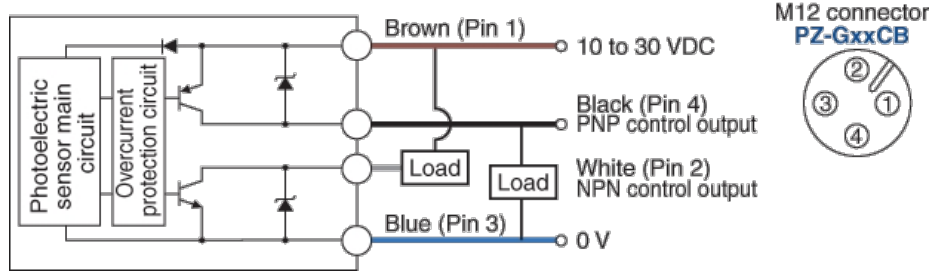
Pin arrangement



①	+V
②	OUT(NPN)
③	0V
④	OUT(PNP)

I/O Circuit Connection diagram

Bipolar output
(thru-beam receiver, reflective, retro-reflective)



Characteristic

